



# **HYPER PLUS**

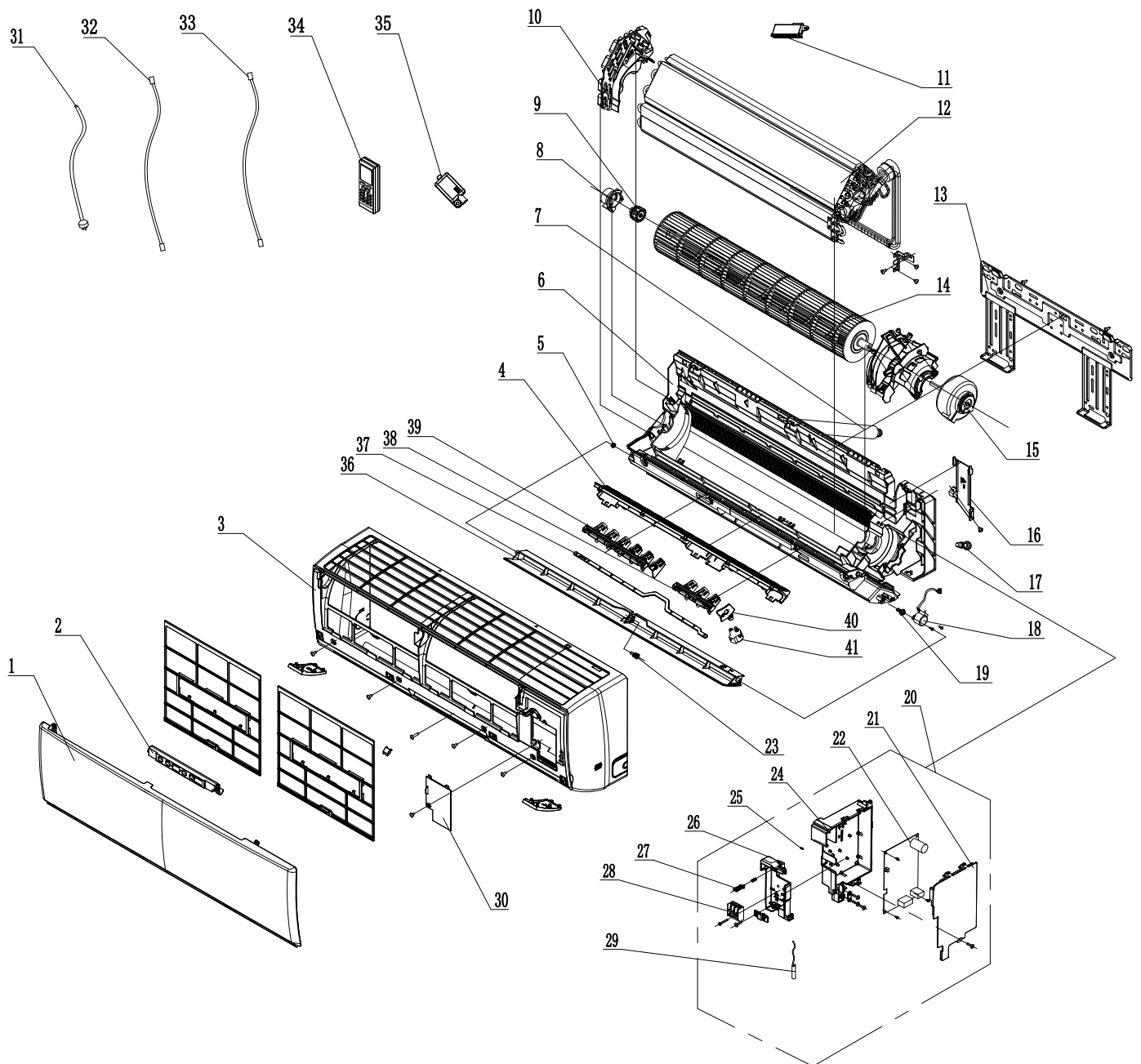
# **WALL SPLIT SYSTEM**

## **SPARE PARTS LIST**

**August 2023**

# GWH09ABAXD-K6DNC8A/I

## Exploded View



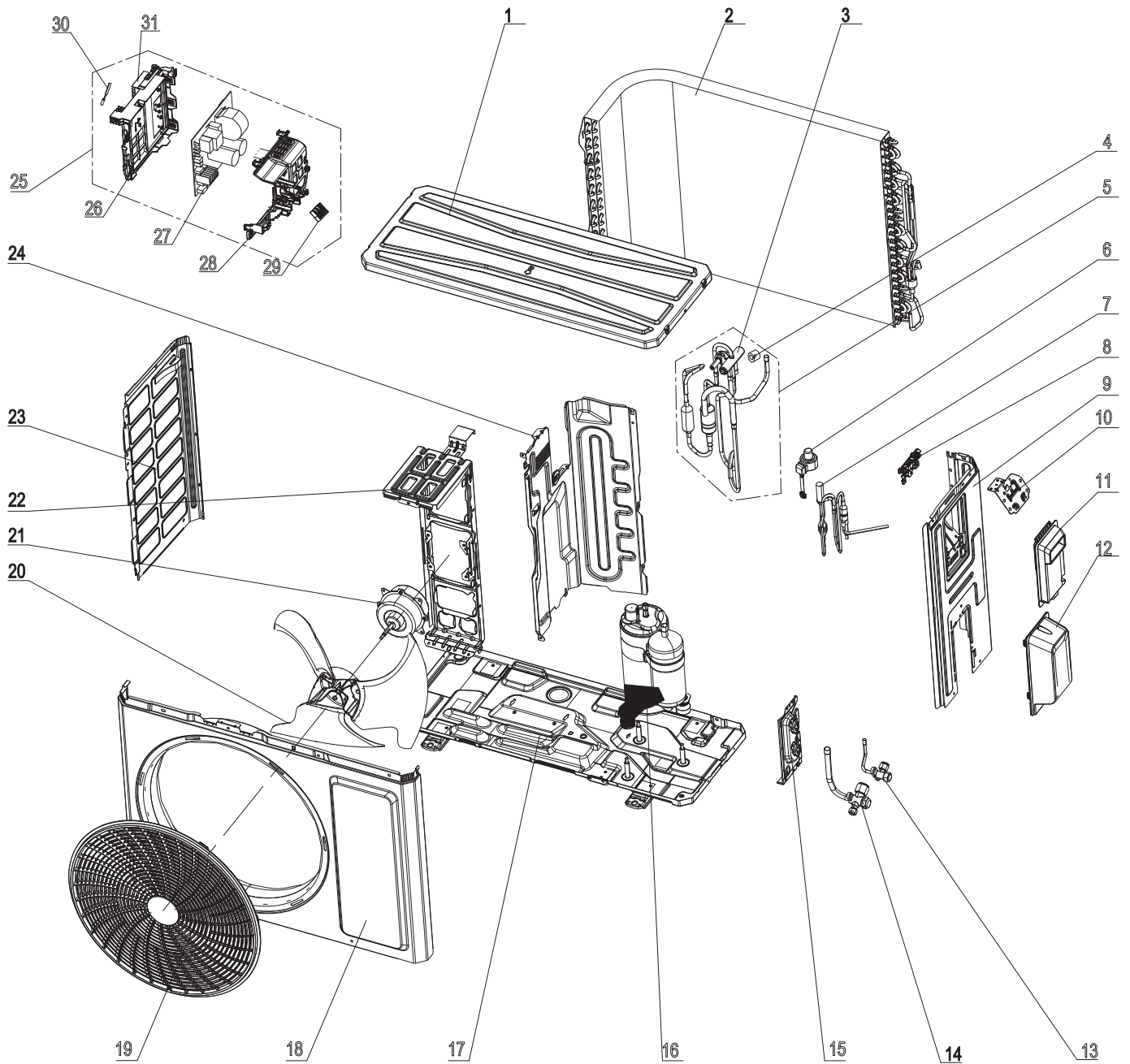
**GWH09ABAXD-K6DNC8A/I**

## Spare Parts List

No.	Part Description	Part Code
1	Front Panel	200003000082T02
2	Display Board	300001000150
3	Front Case Assy	000002000035
4	Helicoid Tongue	200006000004
5	Left Axile Bush	10512037
6	Rear Case assy	00000100001901
7	Drainage Hose	0523001408
8	Ring of Bearing	26152022
9	O-Gasket sub-assy of Bearing	76512051
10	Evaporator Support	200025000007
11	Cold Plasma Generator	N/A
12	Evaporator Assy	01100106119201P
13	Wall Mounting Frame	01204300000401
14	Cross Flow Fan	103001000002
15	Brushless DC Motor	150104060114
16	Connecting pipe clamp	200017000002
17	Rubber Plug (Water Tray)	76712012
18	Stepping Motor	1521210811
19	Crank	73012005
20	Electric Box Assy	100002074126
21	Electric Box Cover	200082000009
22	Main Board	300002062673
23	Axile Bush	10542036
24	Electric Box	200013000012
25	Jumper	4202021901
26	Electric Box Supporter	200013000013
27	Button	200055000003
28	Terminal Board	422000000022
29	Temperature Sensor	390001060008
30	Electric Box Cover2	200082000008
31	Power Cord	N/A
32	Connecting Cable	N/A
33	Connecting Cable	4002052318
34	Remote Controller	305001000067
35	Test Board Assy	000409060012
36	Guide Louver	200004000020
37	Swing Lever	200035000014
38	Air Louver(right)	200007000025
39	Air Louver (left)	200007000024
40	Air Louver (Auto)	200007000026
41	Stepping Motor	1521210704

# GWH09ABAXD-K6DNC8A/O

## Exploded View



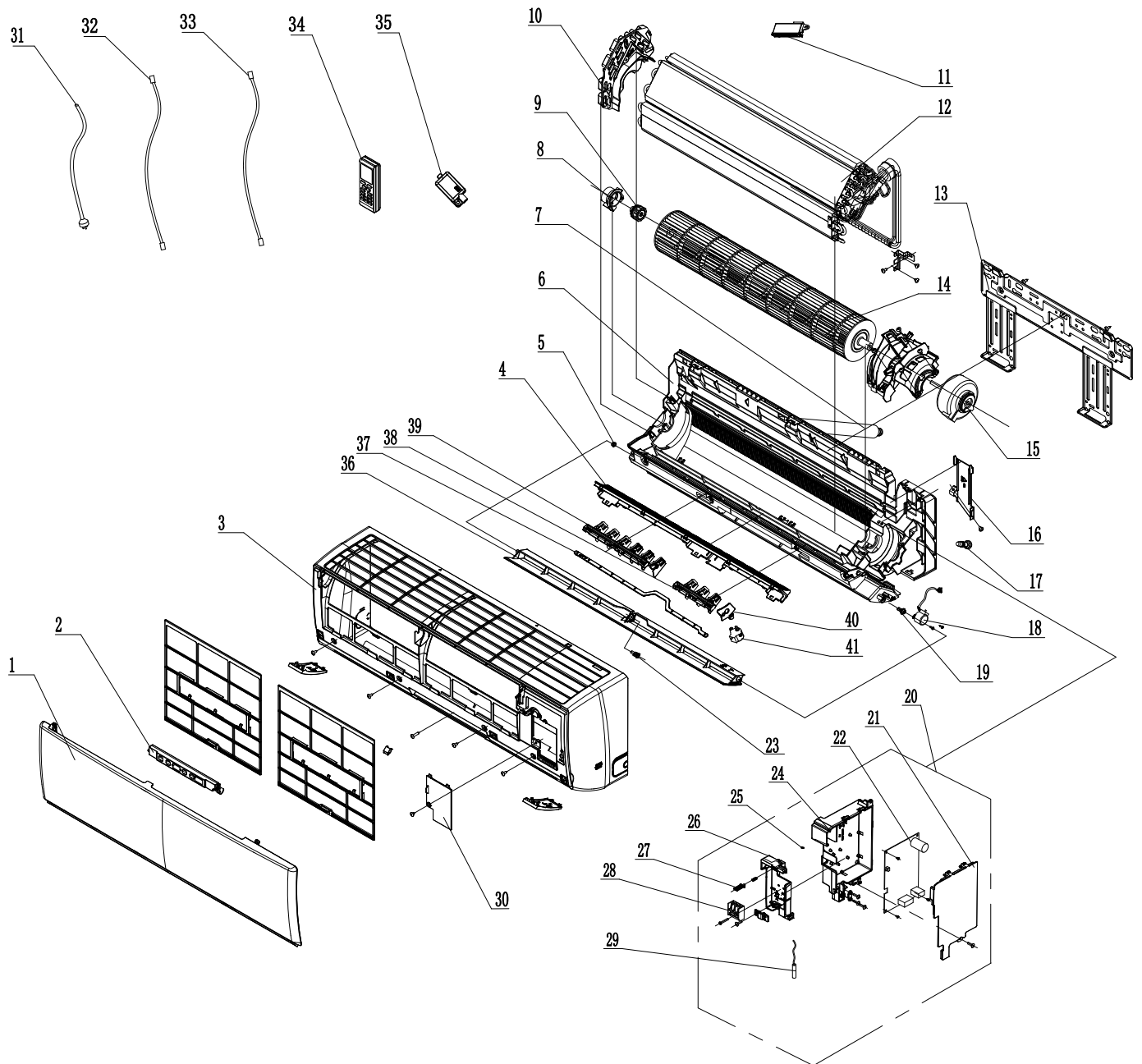
**GWH09ABAXD-K6DNC8A/O**

## Spare Parts List

No.	Part Description	Part Code
1	Top Cover Assy	000097060355
2	Condenser Assy	011002061734_Y03274
3	4-Way Valve	072007060013
4	Magnet Coil	4300040072
5	4-Way Valve Assy	030152060896
6	Electric Expand Valve Fitting	07200206002309
7	Electric Expansion Valve Sub-Assy	030026061042
8	Wire Clamp	200015060018
9	Right Side Plate	01205606036706P
10	Earthing Plate Sub-assy	017246000004
11	Handle (Right)	N/A
12	Valve Cover	200087060004
13	Cut-off valve 1/4(N)	070001060022
14	Cut-off valve 3/8(N)	070001060023
15	Valve Support	012044060022P
16	Compressor and Fittings	009001060611
17	Chassis Sub-assy	017000060609P
18	Cabinet	012022060010P
19	Front Grill	200057060014
20	Axial Flow Fan	103002060015
21	Brushless DC Motor	150104060095
22	Motor Support	01204806014001
23	Left Side Plate	012055060395P
24	Clapboard Assy	000075060126
25	Electric Box Assy	100002074111
26	Electric Box	20001306010102
27	Main Board	300027062179
28	Controller Cover	200066060035
29	Terminal Board	422000060075
30	Temperature Sensor	3900030905
31	Radiator	430034060167

# GWH12ABAXD-K6DNC8A/I

## Exploded View



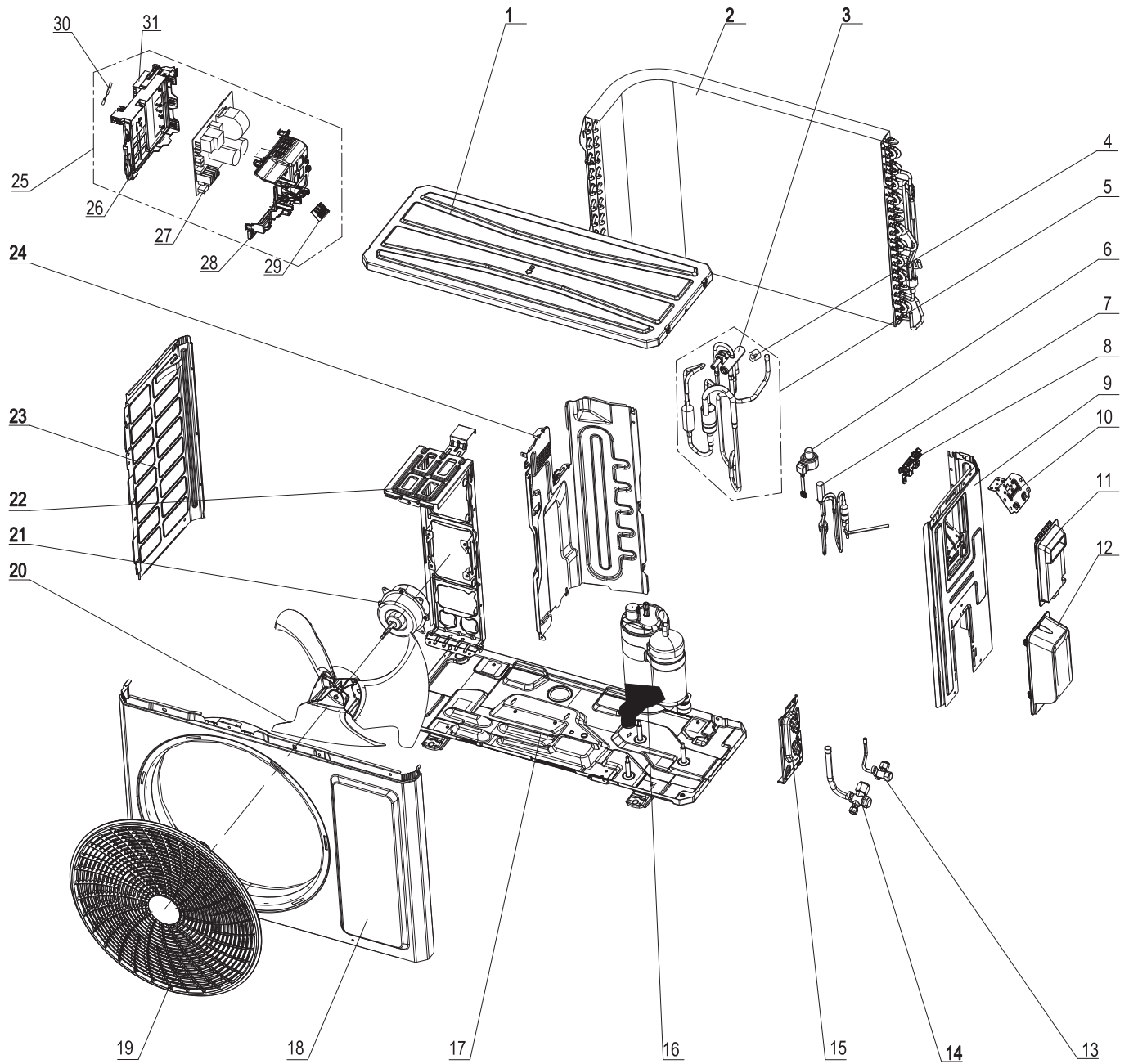
**GWH12ABAXD-K6DNC8A/I**

## Spare Parts List

No.	Part Description	Part Code
1	Front Panel	200003000082T02
2	Display Board	300001000150
3	Front Case Assy	000002000035
4	Helicoid Tongue	200006000004
5	Left Axile Bush	10512037
6	Rear Case assy	00000100001901
7	Drainage Hose	0523001408
8	Ring of Bearing	26152022
9	O-Gasket sub-assy of Bearing	76512051
10	Evaporator Support	200025000007
11	Cold Plasma Generator	N/A
12	Evaporator Assy	01100106119201P
13	Wall Mounting Frame	01204300000401
14	Cross Flow Fan	103001000002
15	Brushless DC Motor	150104060114
16	Connecting pipe clamp	200017000002
17	Rubber Plug (Water Tray)	76712012
18	Stepping Motor	1521210811
19	Crank	73012005
20	Electric Box Assy	100002074094
21	Electric Box Cover	200082000009
22	Main Board	300002062673
23	Axile Bush	10542036
24	Electric Box	200013000012
25	Jumper	4202021907
26	Electric Box Supporter	200013000013
27	Button	200055000003
28	Terminal Board	422000000022
29	Temperature Sensor	390001060008
30	Electric Box Cover2	200082000008
31	Power Cord	N/A
32	Connecting Cable	N/A
33	Connecting Cable	4002052318
34	Remote Controller	305001000067
35	Test Board Assy	000409060012
36	Guide Louver	200004000020
37	Swing Lever	200035000014
38	Air Louver(right)	200007000025
39	Air Louver (left)	200007000024
40	Air Louver (Auto)	200007000026
41	Stepping Motor	1521210704

# GWH12ABAXD-K6DNC8A/O

## Exploded View





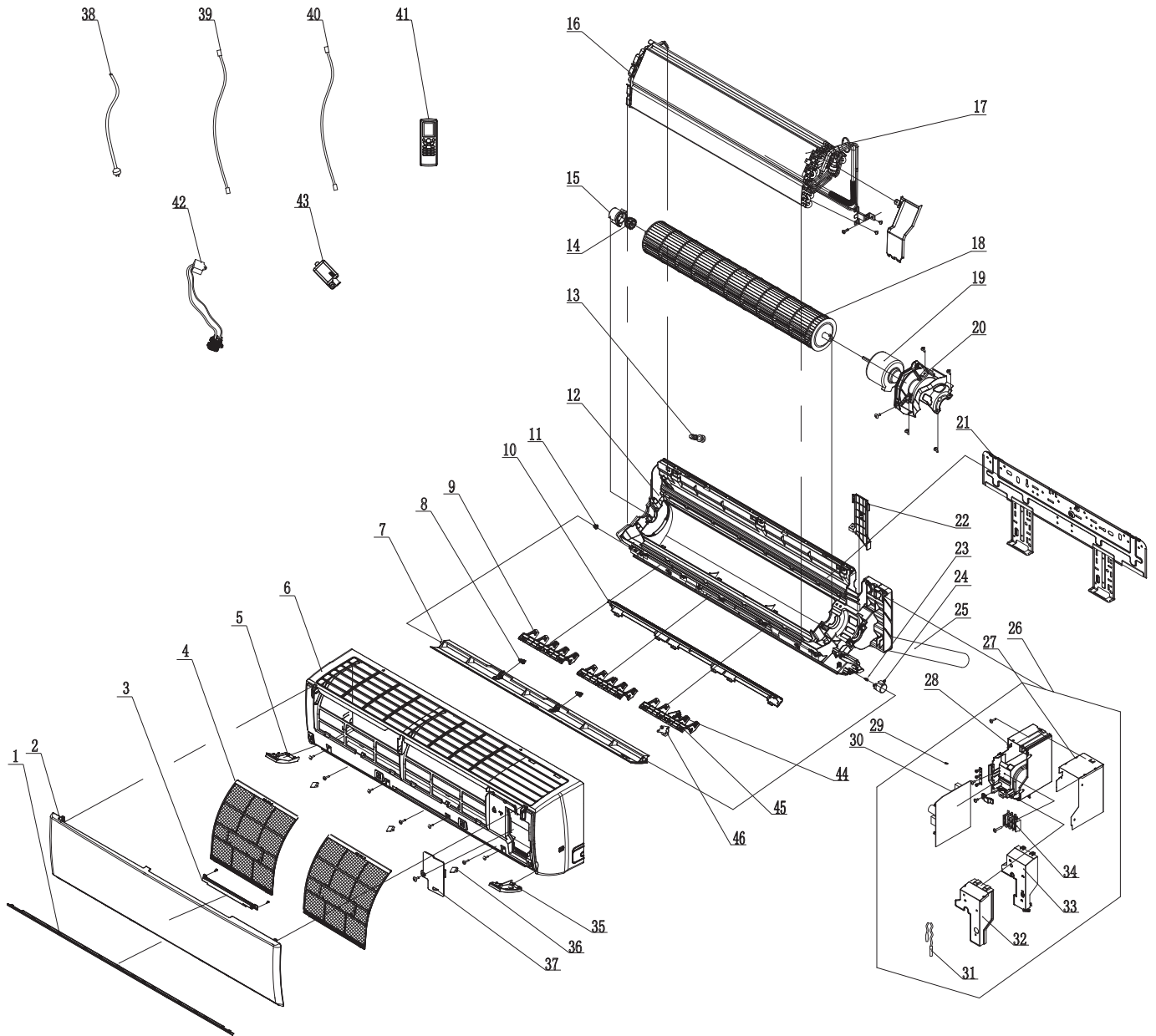
**GWH12ABAXD-K6DNC8A/O**

## Spare Parts List

No.	Part Description	Part Code
1	Top Cover Assy	000097060355
2	Condenser Assy	011002061408_Y03274
3	4-Way Valve	072007060013
4	Magnet Coil	4300040072
5	4-Way Valve Assy	030152060834
6	Electric Expand Valve Fitting	07200206002301
7	Electric Expansion Valve Sub-Assy	030026061078
8	Wire Clamp	200015060018
9	Right Side Plate	01205606036706P
10	Earthing Plate Sub-assy	017246000004
11	Handle (Right)	N/A
12	Valve Cover	200087060004
13	Cut-off valve 1/4(N)	070001060022
14	Cut-off valve 3/8(N)	070001060023
15	Valve Support	012044060022P
16	Compressor and Fittings	009001060611
17	Chassis Sub-assy	017000060609P
18	Cabinet	012022060010P
19	Front Grill	200057060014
20	Axial Flow Fan	103002060015
21	Brushless DC Motor	150104060095
22	Motor Support	01204806014001
23	Left Side Plate	012055060395P
24	Clapboard Assy	000075060126
25	Electric Box Assy	100002074103
26	Electric Box	20001306010102
27	Main Board	300027062184
28	Controller Cover	200066060035
29	Terminal Board	422000060075
30	Temperature Sensor	3900030905
31	Radiator	430034060167

# GWH15QDXE-K6DNC8B/I

## Exploded View



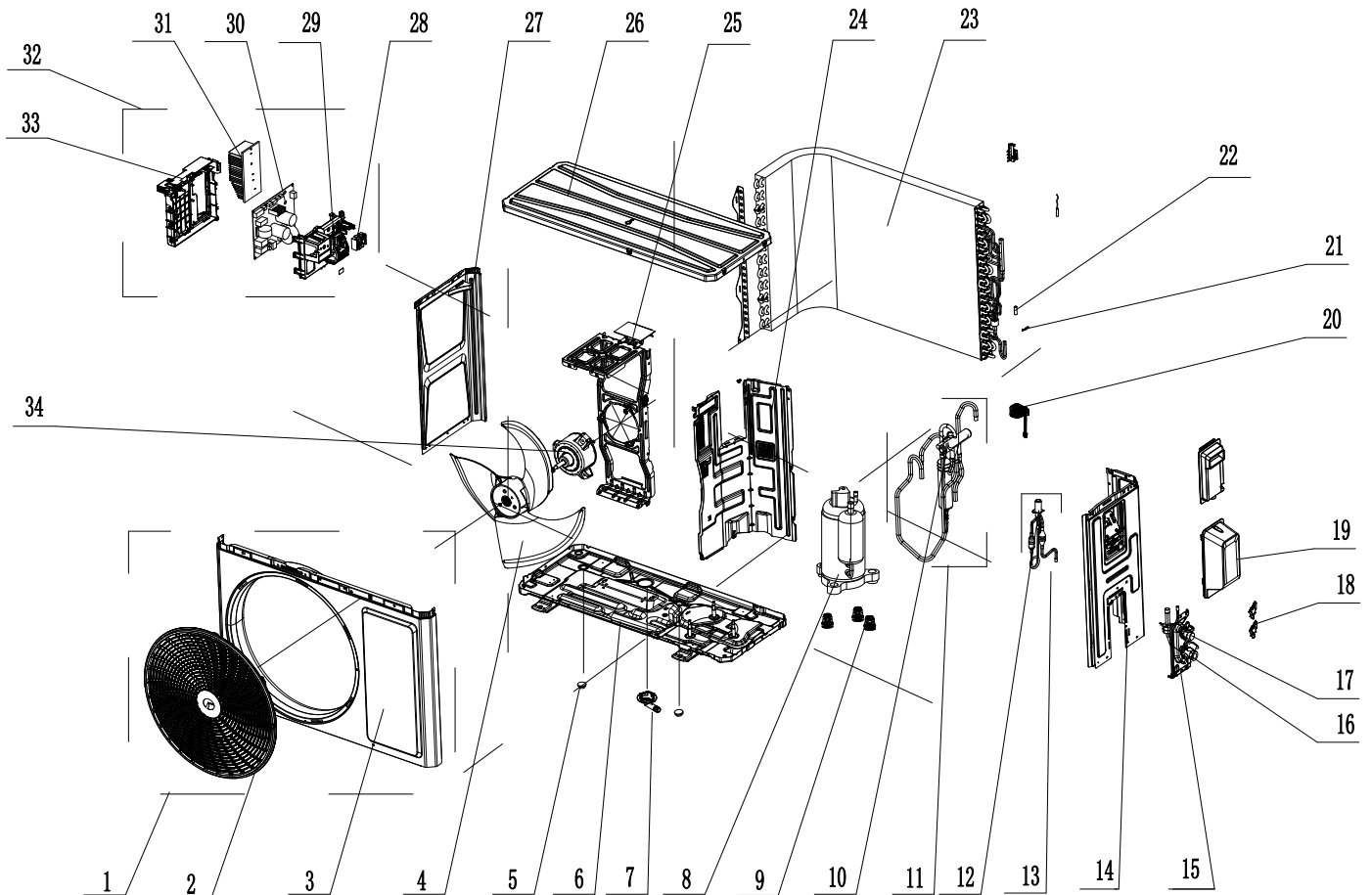
**GWH15QDXE-K6DNC8B/I**

## Spare Parts List

No.	Part Description	Part Code
1	Decorative Strip	N/A
2	Front Panel	20000300153T
3	Display Board	300001000144
4	Filter Sub-Assy	1112208906
5	Decorative Board (Left and Right)	20192662
6	Front Case	2002248401
7	Guide Louver	1051276501
8	Axile Bush	10542036
9	Air Louver	10512733
10	Helicoid Tongue	26112512
11	Left Axile Bush	10512037
12	Rear Case assy	00000100001
13	Rubber Plug (Water Tray)	76712012
14	O-Gasket sub-assy of Bearing	76512051
15	Ring of Bearing	26152025
16	Evaporator Support	24212177
17	Evaporator Assy	01100100020701P_Y03274
18	Cross Flow Fan	10352060
19	Brushless DC Motor	150104060088
20	Motor Press Plate	26112511
21	Wall Mounting Frame	01362026
22	Connecting pipe clamp	2611218801
23	Crank	73012005
24	Stepping Motor	1521240212
25	Drainage Hose	05230014
26	Electric Box Assy	100002076326
27	Lower Shield of Electric Box	N/A
28	Electric Box	200013060001
29	Jumper	4202021925
30	Main Board	300002062787
31	Temperature Sensor	3900031302
32	Shield Cover of Electric Box Cover	N/A
33	Electric Box Cover	200082060002
34	Terminal Board	422000000022
35	Decorative Board (Right)	N/A
36	Screw Cover	2425201726
37	Electric Box Cover2	200082060001
38	Power Cord	N/A
39	Connecting Cable	4002052318
40	Connecting Cable	N/A
41	Remote Controller	305001000067
42	Cold Plasma Generator	1114001602
43	Test Board Assy	000409060012
44	Air Louver	10512736
45	Air Louver 2	10512735
46	Stepping Motor	1521210704

# GWH15QDXE-K6DNA1A/O

## Exploded View



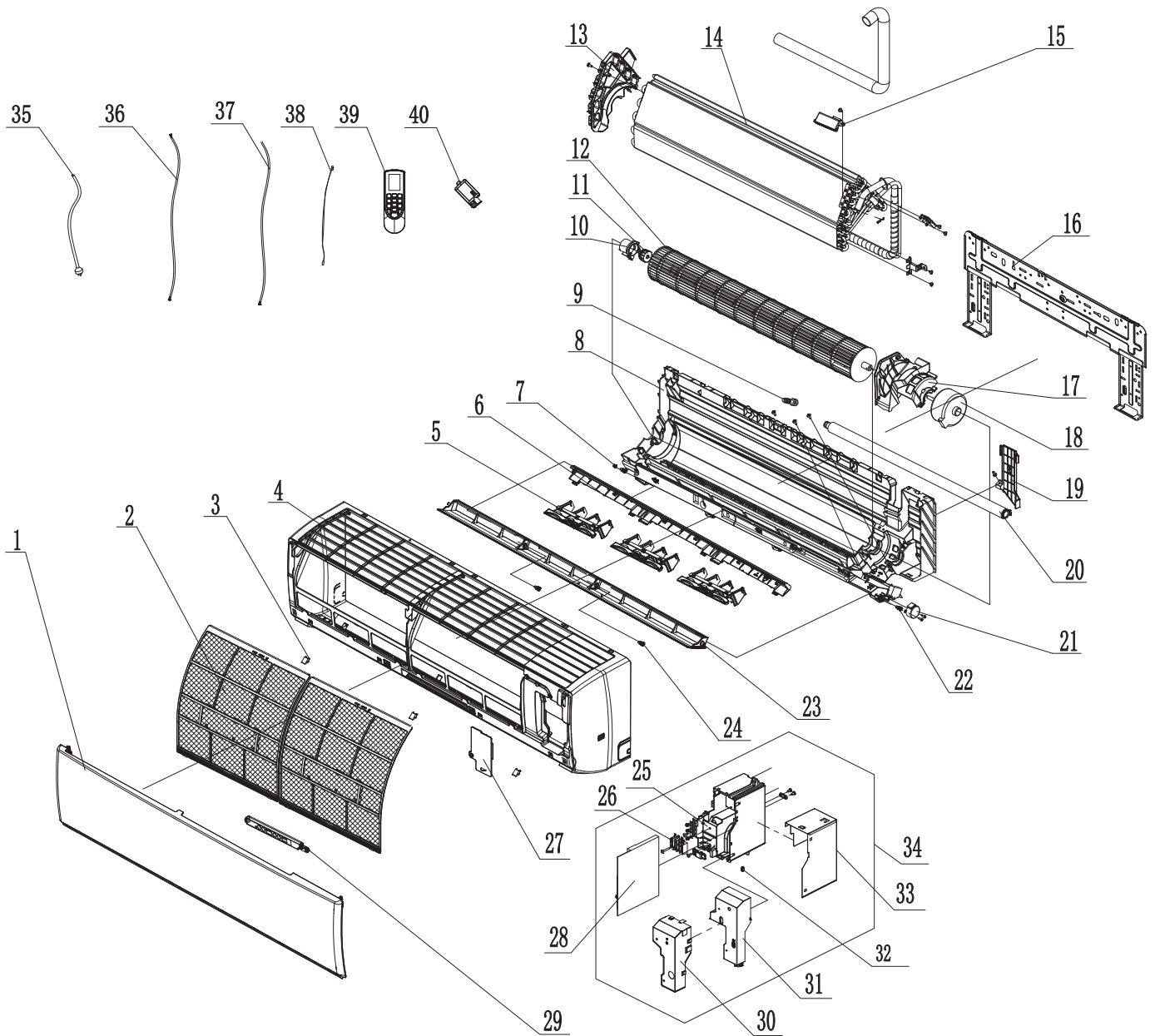
**GWH15QDXE-K6DNA1A/O**

## Spare Parts List

No.	Part Description	Part Code
1	Front Panel Assy	000003060525
2	Front Grill	200057060018
3	Cabinet	012022060011P
4	Axial Flow Fan	10333014
5	Drainage hole Cap	76711012
6	Chassis Sub-assy	017000060596P
7	Drainage Joint	26113009
8	Compressor and Fittings	009001060783
9	Compressor Gasket	9033060003
10	4-Way Valve	430004032
11	4-Way Valve Assy	030152060902
12	Electronic Expansion Valve	072009000017
13	Electronic Expansion Valve assy	030174060213
14	Right Side Plate Assy	00008106029001
15	Valve Support	012044060022P
16	Cut-off valve 1/2(N)	70001060024
17	Cut-off valve 1/4(N)	70001060022
18	Valve Support Block	26113017
19	Valve Cover	200087060005
20	Electric Expand Valve Fitting	07200206002213
21	Sensor Insert	42020063
22	Temp Sensor Sleeving	05212423
23	Condenser Assy	011002061994_Y03274
24	Clapboard Assy	75060125
25	Motor Support Assy	46060104
26	Top Cover Assy	97060315
27	Left Side Plate	012055060392P
28	Terminal Board	422000060075
29	Electric Box Cover	20006606003101
30	Main Board	300027062344
31	Radiator	430034060118
32	Electric Box Assy	100002074578
33	Electric Box Sub-Assy	N/A
34	Brushless DC Motor	150104060085

# GWH18QEXF-K6DNC8A/I

## Exploded View



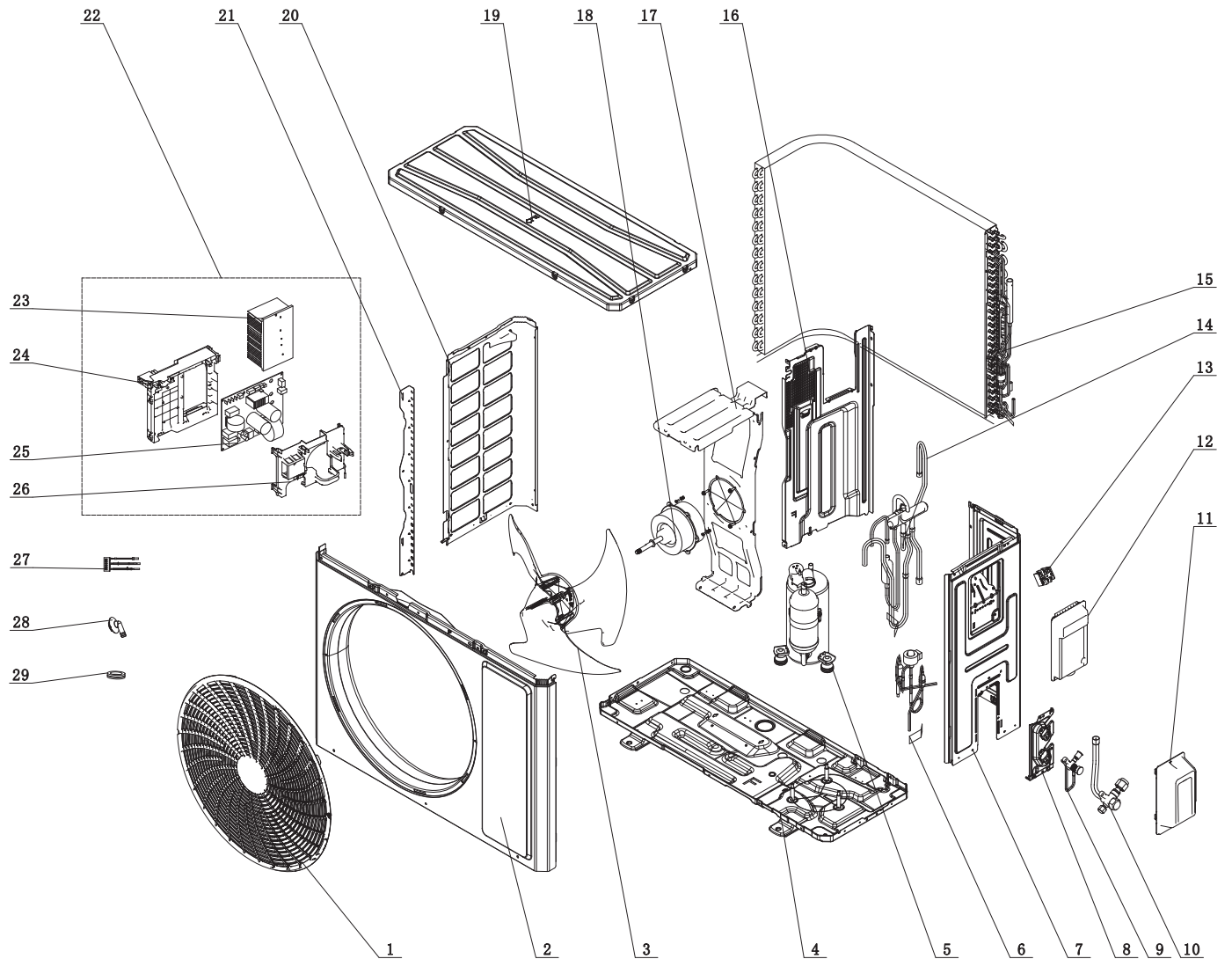
**GWH18QEXF-K6DNC8A/I**

## Spare Parts List

No.	Part Description	Part Code
1	Front Panel	20000300152T
2	Filter Sub-Assy	1101200703
3	Screw Cover	2425245301
4	Front Case Assy	00000200043
5	Air Louver 1	10512741
6	Helicoid Tongue sub-assy	26112384
7	Left Axile Bush	10512037
8	Rear Case assy	22202736
9	Rubber Plug (Water Tray)	76712012
10	Ring of Bearing	26152025
11	O-Gasket sub-assy of Bearing	76512051
12	Cross Flow Fan	10352057
13	Evaporator Support	24212178
14	Evaporator Assy	011001060959P_Y03274
15	Cold Plasma Generator	1114001602
16	Wall Mounting Frame	01252229
17	Motor Press Plate	26112515
18	Brushless DC Motor	150104060088
19	Connecting pipe clamp	26112514
20	Drainage Hose	0523001405
21	Stepping Motor	1521240212
22	Crank	73012005
23	Guide Louver	1051232001
24	Axile Bush	10542036
25	Electric Box	200013060001
26	Terminal Board	422000000022
27	Electric Box Cover2	200082060001
28	Main Board	300002062787
29	Display Board	300001000144
30	Shield Cover of Electric Box Cover	N/A
31	Electric Box Cover	200082060002
32	Jumper	4202021928
33	Lower Shield of Electric Box	N/A
34	Electric Box Assy	100002074740
35	Power Cord	N/A
36	Connecting Cable	4002052318
37	Connecting Cable	N/A
38	Temperature Sensor	3900031302
39	Remote Controller	305001000067
40	Test Board Assy	000409060012

# GWH18QEXF-K6DNC8A/O

## Exploded View





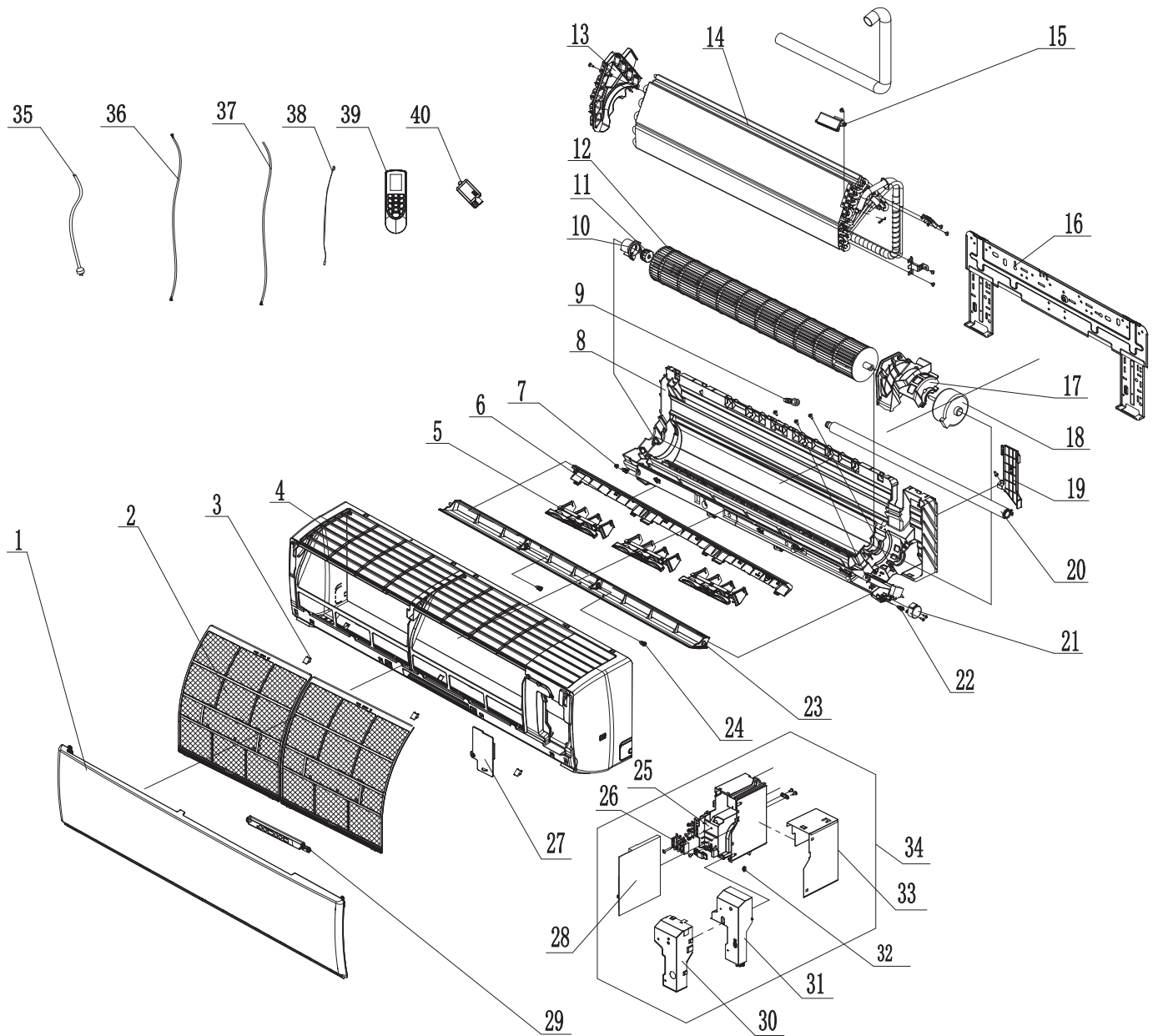
**GWH18QEXF-K6DNC8A/O**

## Spare Parts List

No.	Part Description	Part Code
1	Front Grill	200057060016
2	Front Panel	012073061611P
3	Axial Flow Fan	10335262
4	Chassis Sub-assy	017000060761P
5	Compressor and Fittings	009001060617
6	Electronic Expansion Valve	072009060006
7	Right Side Plate Assy	00008106021513
8	Valve Support	012044060022P
9	Cut-off valve 1/4(N)	070001060022
10	Cut-off valve 1/2(N)	070001060024
11	Valve Cover	200087060005
12	Handle	012210060007P
13	Terminal Board	422000060075
14	4-Way Valve Assy	030152060869
15	Condenser Assy	011002061983_Y03274
16	Clapboard Assy	000075060128
17	Motor Support	012048060145
18	Brushless DC Motor	150104060103
19	Coping	012049060117P
20	Left Side Plate	012055060393P
21	Condenser Left Border Plate	012009060219
22	Electric Box Assy	100002074745
23	Radiator	43003406011601
24	Electric Box	20001306008501
25	Main Board	300027062373
26	Electric Box Cover	20008206006801
27	Temperature Sensor	3900030912
28	Drainage Joint	26113009
29	Drainage hole Cap	06813401

# GWH21QEXF-K6DNC8A/I

## Exploded View



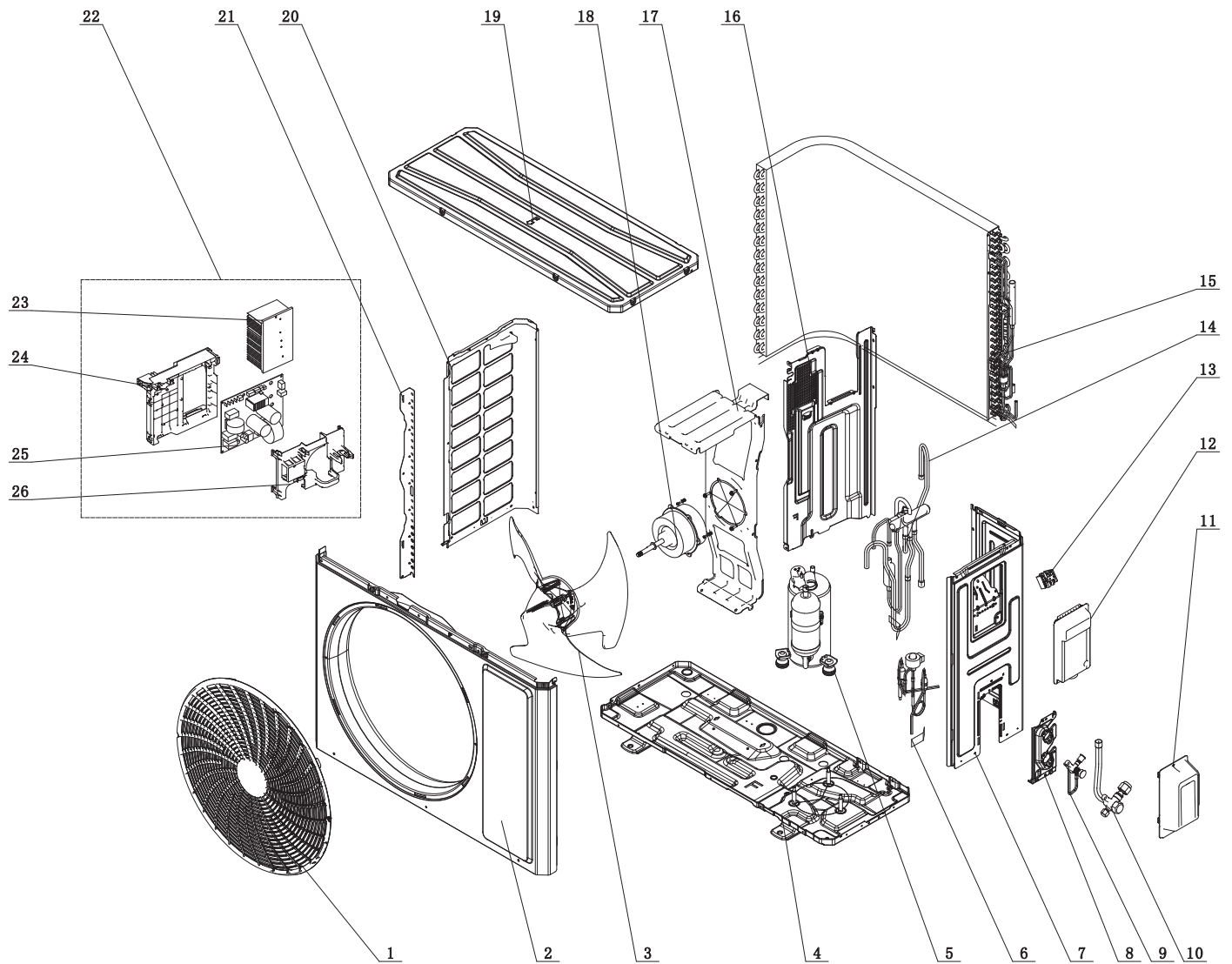
**GWH21QEXF-K6DNC8A/I**

## Spare Parts List

No.	Part Description	Part Code
1	Front Panel	20000300152T
2	Filter Sub-Assy	1101200703
3	Screw Cover	2425245301
4	Front Case Assy	00000200043
5	Air Louver 1	10512741
6	Helicoid Tongue sub-assy	26112384
7	Left Axile Bush	10512037
8	Rear Case assy	22202736
9	Rubber Plug (Water Tray)	76712012
10	Ring of Bearing	26152025
11	O-Gasket sub-assy of Bearing	76512051
12	Cross Flow Fan	10352057
13	Evaporator Support	24212178
14	Evaporator Assy	011001060959P_Y03274
15	Cold Plasma Generator	1114001602
16	Wall Mounting Frame	012043000007
17	Motor Press Plate	26112515
18	Brushless DC Motor	150104060116
19	Connecting pipe clamp	26112514
20	Drainage Hose	0523001405
21	Stepping Motor	1521240212
22	Crank	73012005
23	Guide Louver	1051232001
24	Axile Bush	10542036
25	Electric Box	200013060001
26	Terminal Board	422000000022
27	Electric Box Cover2	200082060001
28	Main Board	300002063167
29	Display Board	300001000144
30	Shield Cover of Electric Box Cover	N/A
31	Electric Box Cover	200082060002
32	Jumper	4202021926
33	Lower Shield of Electric Box	N/A
34	Electric Box Assy	100002076483
35	Power Cord	N/A
36	Connecting Cable	4002052318
37	Connecting Cable	N/A
38	Temperature Sensor	3900031302
39	Remote Controller	305001000067
40	Board Assy	000409060030

# GWH21AGEXF-K6DNA1A/O

## Exploded View



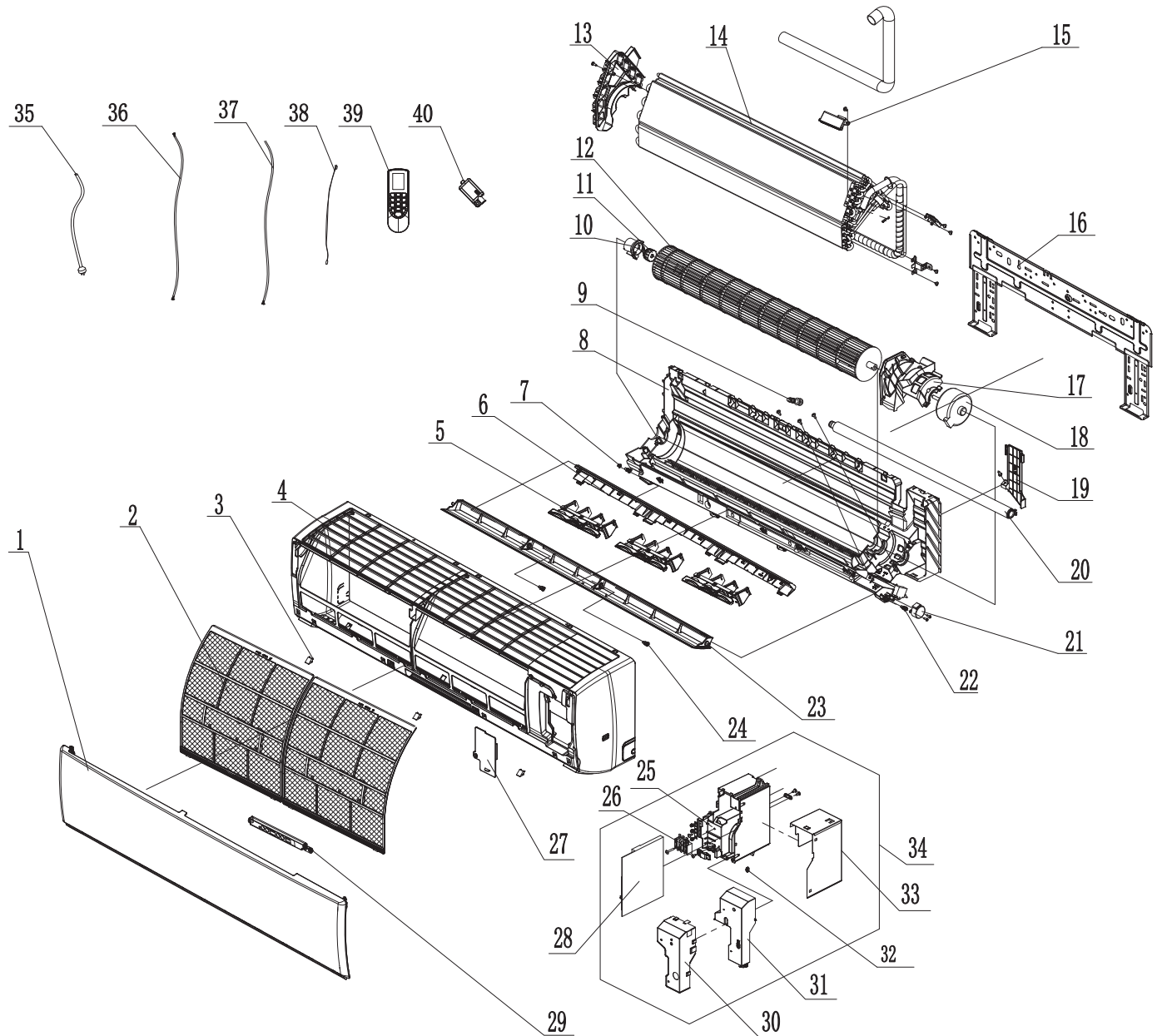
**GWH21AGEXF-K6DNA1A/O**

## Spare Parts List

No.	Part Description	Part Code
1	Front Grill	200057060016
2	Front Panel	012073061611P
3	Axial Flow Fan	10335262
4	Chassis Sub-assy	017000060761P
5	Compressor and Fittings	009001060621
6	Electronic Expansion Valve	072009060006
7	Right Side Plate Assy	00008106021512
8	Valve Support	012044060022P
9	Cut-off valve 1/4(N)	070001060022
10	Cut-off valve 1/2(N)	070001060024
11	Valve Cover	200087060005
12	Handle	012210060007P
13	Terminal Board	422000060075
14	4-Way Valve Assy	030152060822
15	Condenser Assy	011002061983_Y03274
16	Clapboard Assy	000075060128
17	Motor Support	012048060145
18	Brushless DC Motor	150104060103
19	Coping	012049060117P
20	Left Side Plate	012055060393P
21	Condenser Left Border Plate	012009060219
22	Electric Box Assy	100002074340
23	Radiator	43003406011601
24	Electric Box	20001306008501
25	Main Board	300027062273
26	Electric Box Cover	20008206006801

# GWH24QEXF-K6DNC8A/I

## Exploded View



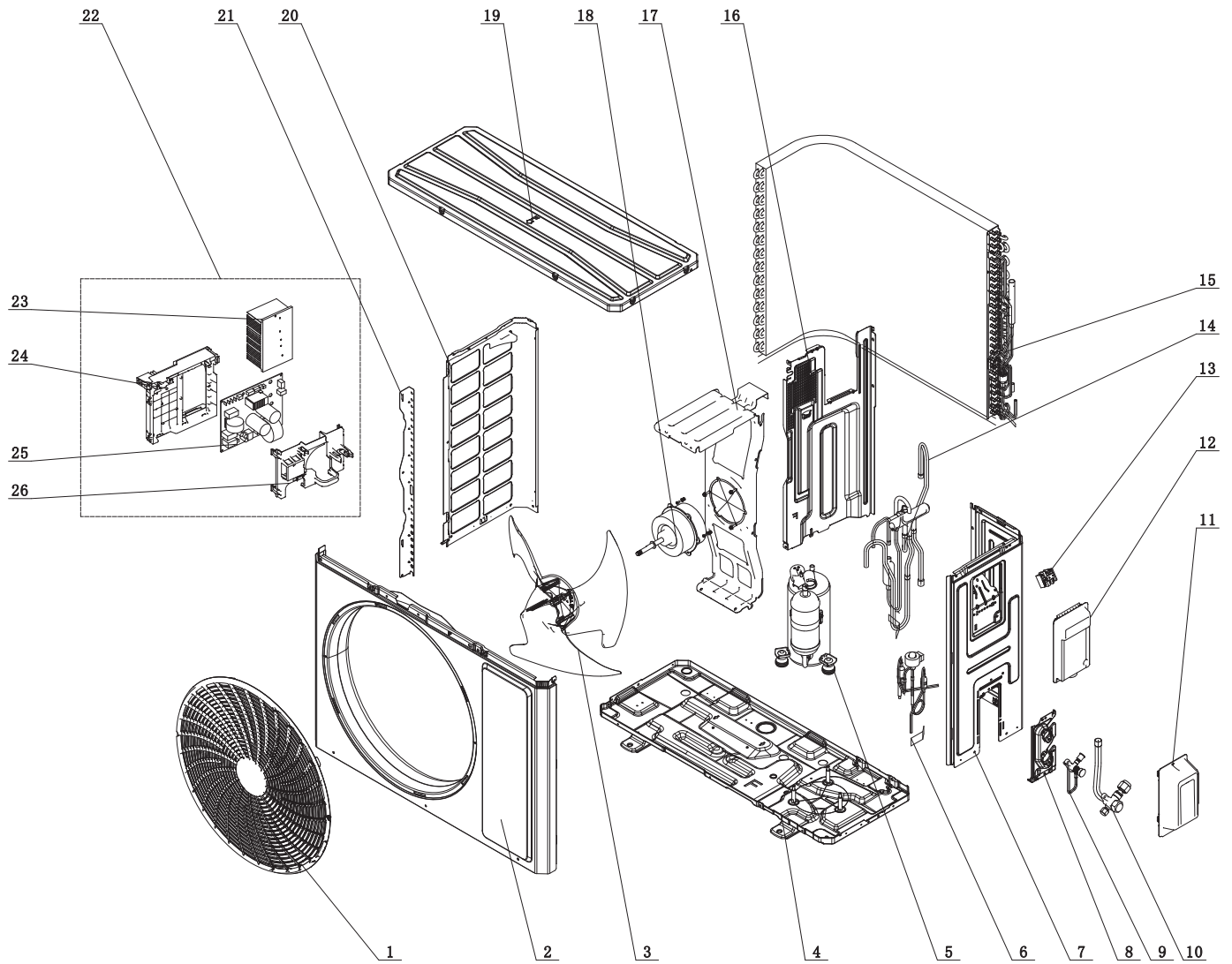
**GWH24QEXF-K6DNC8A/I**

## Spare Parts List

No.	Part Description	Part Code
1	Front Panel	20000300152T
2	Filter Sub-Assy	1101200703
3	Screw Cover	2425245301
4	Front Case Assy	00000200043
5	Air Louver 1	10512741
6	Helicoid Tongue sub-assy	26112384
7	Left Axile Bush	10512037
8	Rear Case assy	22202736
9	Rubber Plug (Water Tray)	76712012
10	Ring of Bearing	26152025
11	O-Gasket sub-assy of Bearing	76512051
12	Cross Flow Fan	10352057
13	Evaporator Support	24212178
14	Evaporator Assy	01100100009504P
15	Cold Plasma Generator	1114001602
16	Wall Mounting Frame	012043000007
17	Motor Press Plate	26112515
18	Brushless DC Motor	150104060116
19	Connecting pipe clamp	26112514
20	Drainage Hose	0523001405
21	Stepping Motor	1521240212
22	Crank	73012005
23	Guide Louver	1051232001
24	Axile Bush	10542036
25	Electric Box	200013060001
26	Terminal Board	422000000022
27	Electric Box Cover2	200082060001
28	Main Board	300002063167
29	Display Board	300001000144
30	Shield Cover of Electric Box Cover	N/A
31	Electric Box Cover	200082060002
32	Jumper	4202021926
33	Lower Shield of Electric Box	N/A
34	Electric Box Assy	100002076483
35	Power Cord	N/A
36	Connecting Cable	4002052318
37	Connecting Cable	N/A
38	Temperature Sensor	3900031302
39	Remote Controller	305001000067
40	Board Assy	000409060030

# GWH24AGEXF-K6DNA1A/O

## Exploded View





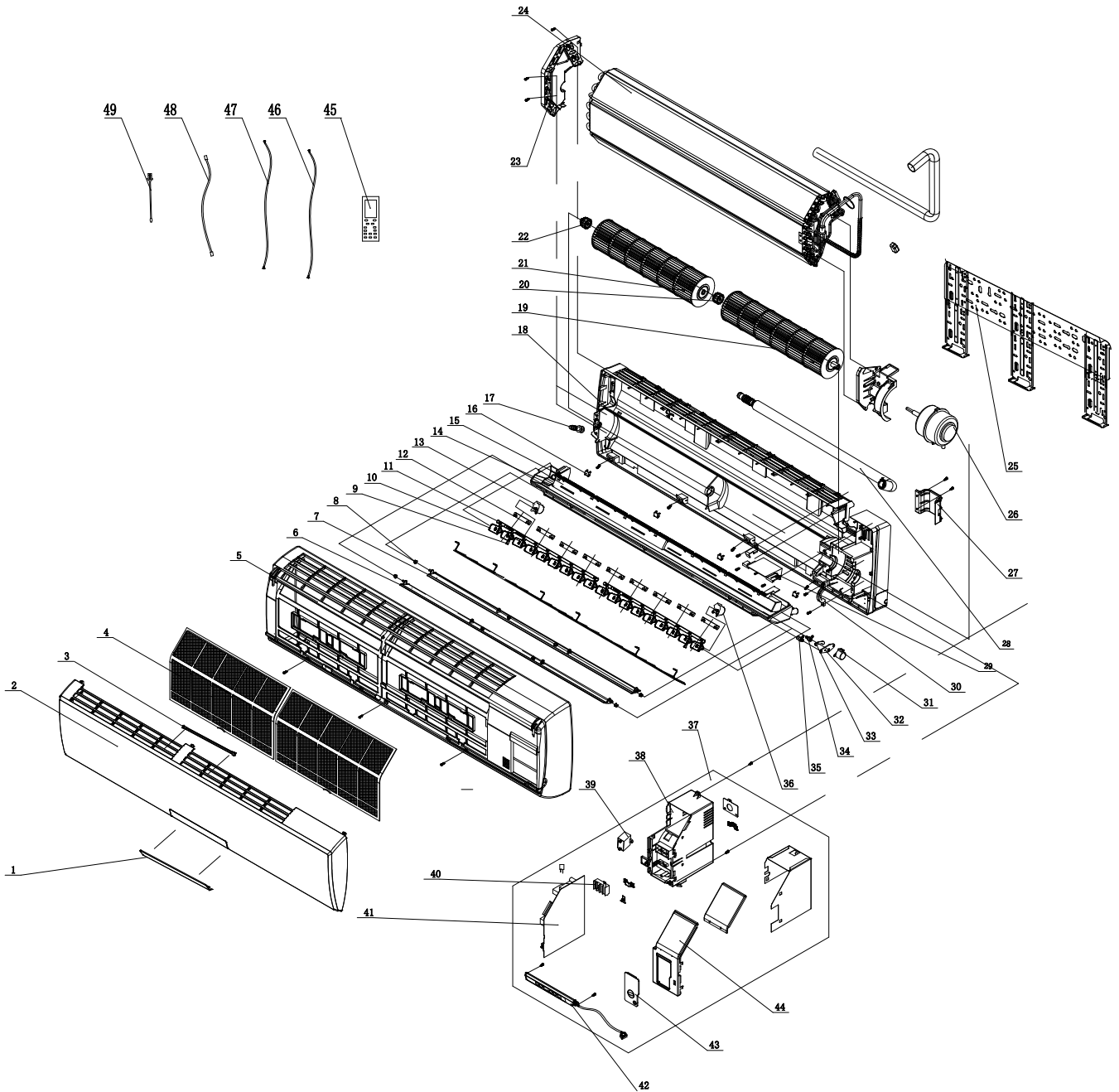
**GWH24AGEXF-K6DNA1A/O**

## Spare Parts List

No.	Part Description	Part Code
1	Front Grill	200057060016
2	Front Panel	012073061611P
3	Axial Flow Fan	10335262
4	Chassis Sub-assy	017000060761P
5	Compressor and Fittings	009001060621
6	Electronic Expansion Valve	43005016
7	Right Side Plate Assy	00008106021512
8	Valve Support	012044060032P
9	Cut-off valve 1/4(N)	070001060022
10	Cut-off valve 5/8(N)	070001060032
11	Valve Cover	200087060005
12	Handle	012210060007P
13	Terminal Board	422000060075
14	4-Way Valve Assy	030152060853
15	Condenser Assy	011002062085
16	Clapboard Assy	000075060128
17	Motor Support	012048060145
18	Brushless DC Motor	150104060103
19	Coping	012049060117P
20	Left Side Plate	012055060393P
21	Condenser Left Border Plate	012009060263
22	Electric Box Assy	100002074671
23	Radiator	43003406011601
24	Electric Box	20001306008501
25	Main Board	300027062469
26	Electric Box Cover	20008206006801

# GWH32QFXH-K6DNB2A/I

## Exploded View



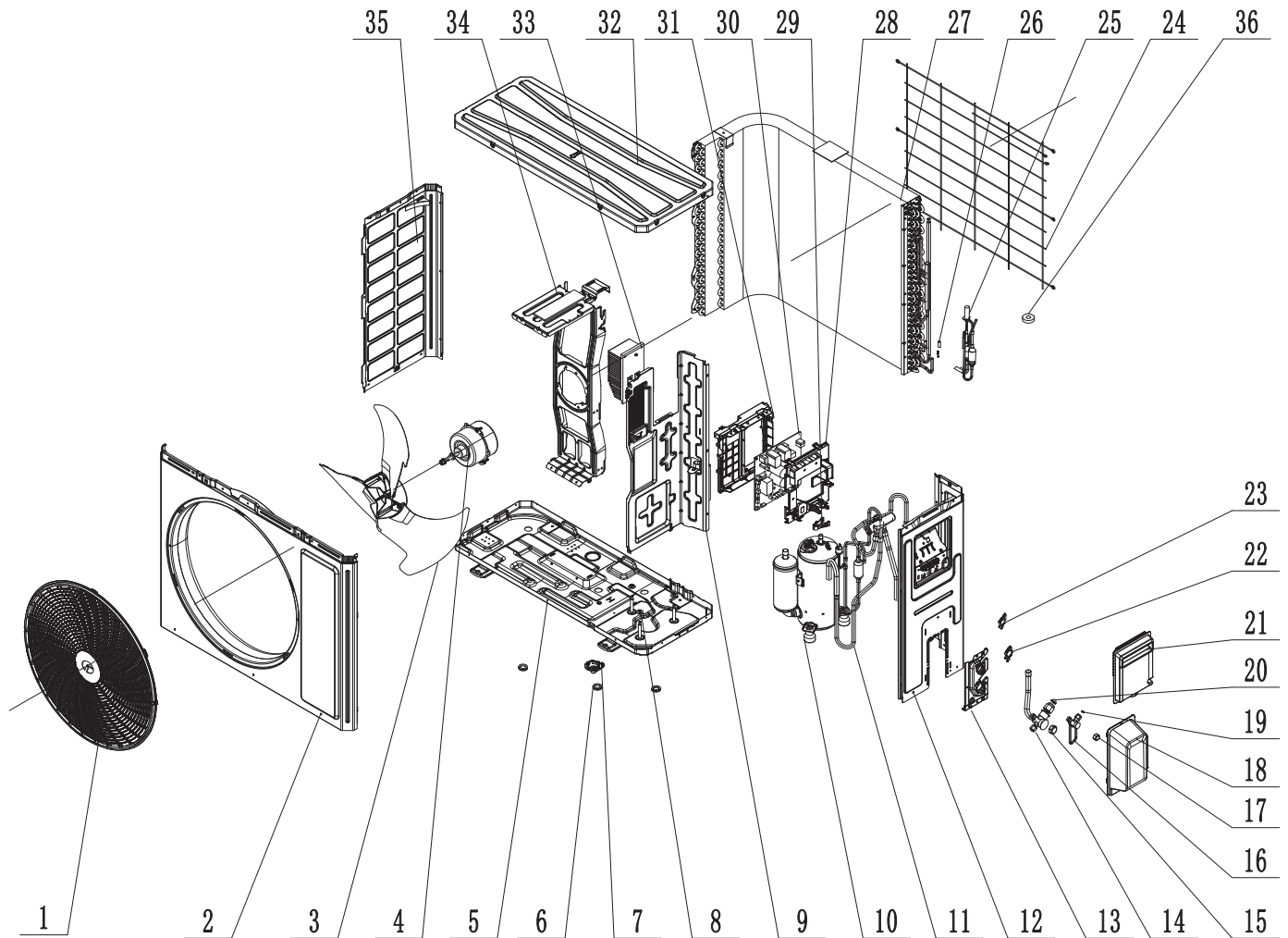
**GWH32QFXH-K6DNB2A/I**

## Spare Parts List

No.	Part Description	Part Code
1	Receiver Window	N/A
2	Front Panel	20000300022T
3	Stand Bar	2421212001
4	Filter Sub-Assy	1112210602
5	Front Case Sub-Assy	20900700005
6	Upper Guide Louver	1051216601
7	Lower Guide Louver	1051216701
8	Axile Bush	10542704
9	Air Louver 2	1051216902
10	Air Louver 1	1051216802
11	Connecting Rod	10582086
12	Louver Clamp	26112127
13	SteppingMotor	15012122
14	Water Tray	2018213802
15	Water Tray Sub-Assy	00007000009
16	Screw Cover	2425200506
17	Rubber Plug (Water Tray)	76712012
18	Rear Case Sub-Assy	20162027
19	Cross Flow Fan 1	10352039
20	Bearing Holder Sub-assy	26152028
21	Cross Flow Fan 2	10352040
22	O-Gasket sub-assy of Bearing	76512051
23	Left Evaporator Support	24212041
24	Evaporator Assy	011001060880P_Y03274
25	Wall Mounting Frame	012043060013
26	Brushless DC Motor	150104060096
27	Pipe Clamp	26112071
28	Drainage Hose	0523001404
29	Cover Plate	2012212402
30	Motor Fixed Clip 2	26112325
31	SteppingMotor	1521210701
32	Press Plate(Crank)	26112070
33	Crank-guide	10582041
34	Upper Crank	10562004
35	Lower crank	10562005
36	SteppingMotor	1501207902
37	Electric Box Assy	100002074419
38	Electric Box	200013060015
39	Capacitor CBB61	N/A
40	Terminal Board	422000000022
41	Main Board	300002062731
42	Display Board	30565277
43	Electric Box Cover2	200082060022
44	Electric Box Cover	200082060023
45	Remote Controller	305001060060
46	Connecting Cable	N/A
47	Connecting Cable	4002052318
48	Temperature Sensor	390000592
49	Temperature Sensor	390000453

# GWH32QFXH-K6DNB2A/O

## Exploded View



**GWH32QFXH-K6DNB2A/O**

## Spare Parts List

No.	Part Description	Part Code
1	Front Grill	200057060017
2	Cabinet	012022060019P
3	Axial Flow Fan	103002060027
4	Brushless DC Motor	15010400000102
5	Chassis Sub-assy	01700006071105P
6	Drainage hole Cap	06813401
7	Drainage Joint	26113009
8	Nut with Washer	70310013
9	Clap Board Assy	00007506017301
10	Compressor and Fittings	009001060690
11	4-Way Valve Assy	030152060991
12	Right Side Plate Assy	00008106022707
13	Valve Support Sub	012044060031P
14	Cut-off valve 5/8(N)	070001060032
15	Nut(Rear Cover)	035194060002
16	Cut-off valve 1/4(N)	070001060022
17	Nut(Rear Cover)	03623001
18	Valve Cover	200087060008
19	Pipe Connection Nut ("I" shape)	06320005
20	Pipe Connection Nut ("D" shape)	06320004
21	Handle	012210060006P
22	Supporter	20011400068
23	Valve Support Block	26113017
24	Rear Grill	016001060087
25	Electronic Expansion Valve assy	030174060224
26	Temperature Sensor	3900030815
27	Condenser Assy	01100206178103_Y03274
28	Electric Box Cover	20008206007701
29	Pipe Clamp	N/A
30	Main Board	300027062302
31	Electric box	20001306010201
32	Top Cover-assy	000051060149
33	Radiator	430034060150
34	Motor Support	012048060194
35	Left Side Plate	012055060389P
36	Electric Expand Valve Fitting	07200206002301

It is the policy of Gree Australia to introduce continuous product improvements.  
Accordingly, specifications are subject to change without notice.  
Please consult with your dealer to confirm the specifications of the model selected.

1800 473 346  
[greeac.com.au](http://greeac.com.au)

